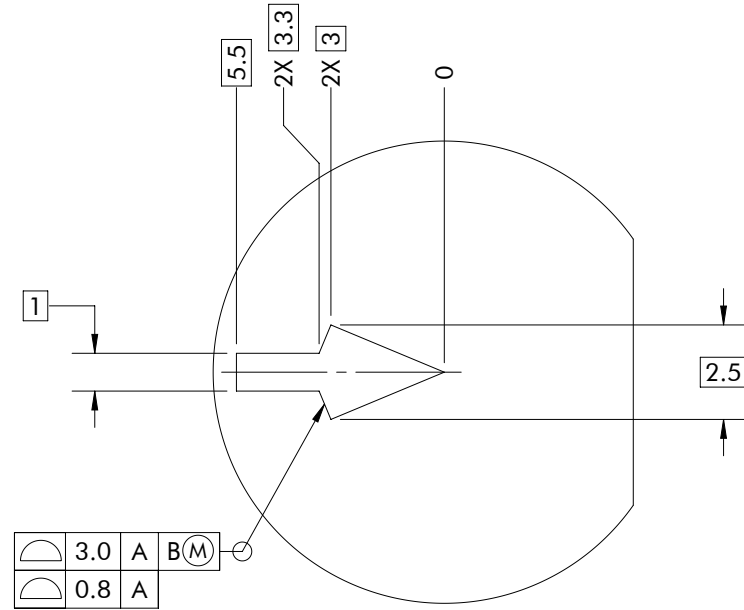
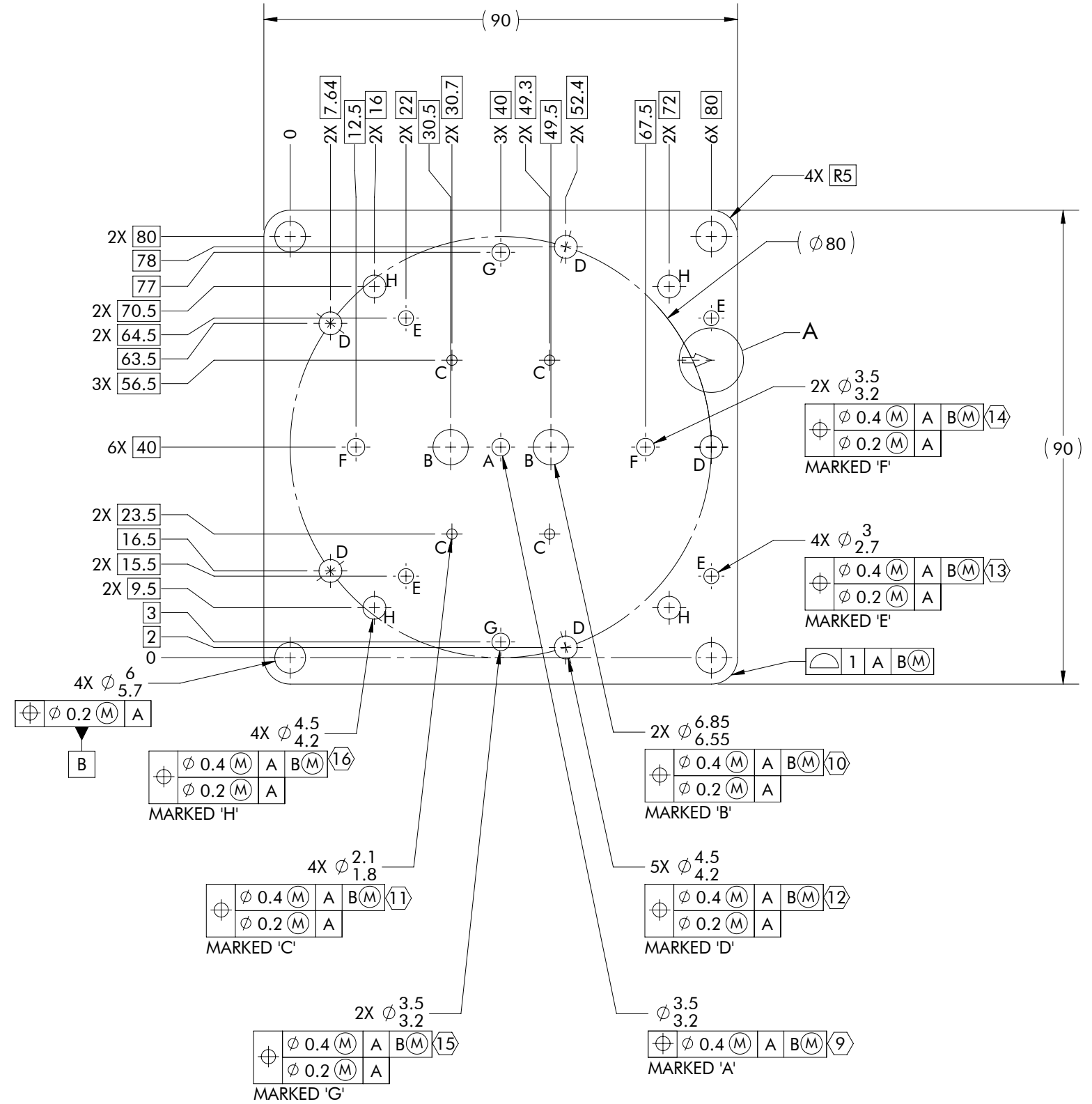
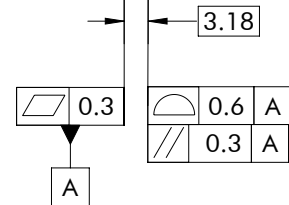


- NOTES:
- ITEM MATERIAL SHALL BE ALUMINUM ALLOY, ALUMINIUM ASSOCIATION TYPE 5052 OR 6061
 - SURFACES SHALL BEAR ANODIC COATING OR POWDER COATING
 - ANODIC COATING SHALL BE IN ACCORDANCE WITH MIL-A-8625, TYPE II CLASS 2, COLOUR BLACK
 - POWDER COATING SHALL BE CURED, TIGER DRYLAC 39/80200, MATTE, FINE TEXTURE, COLOUR BLACK
 - DIMENSIONAL REQUIREMENTS APPLY AFTER COATING
 - EXTERNAL EDGES SHALL CONFORM TO $R0.3 \pm 0.2$
 - INTERNAL EDGES SHALL CONFORM TO $R0.2$ MAX
 - ITEM MAY BE ELASTICALLY CONSTRAINED DURING INSPECTION TO SATISFY DIMENSIONAL REQUIREMENTS

- (NOTE FOR INTEGRATION—MOUNTS FOR GARMIN GPS 18X)
- (NOTE FOR INTEGRATION—MOUNTS FOR FLIR PTU E46)
- (NOTE FOR INTEGRATION—MOUNTS FOR REDSHIFT LABS UM7)
- (NOTE FOR INTEGRATION—MOUNTS FOR FLIR LADYBUG5+)
- (NOTE FOR INTEGRATION—MOUNTS FOR RASPBERRY PI MODEL B)
- (NOTE FOR INTEGRATION—MOUNTS FOR MEANWELL SD-15 POWER SUPPLY OR SD-25 POWER SUPPLY)
- (NOTE FOR INTEGRATION—MOUNTS FOR MEANWELL SD-25 POWER SUPPLY)
- (NOTE FOR INTEGRATION—MOUNTS FOR TRACO POWER TEP 150 POWER SUPPLY)

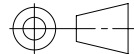


DETAIL A
SCALE 5 : 1



TEMPLATE 020836-DTT_11

THIRD ANGLE
PROJECTION



UNLESS
OTHERWISE
SPECIFIED

UNITS ARE MILLIMETRES & GRAMS
NOTES SUPERSEDE TITLE BLOCK
CALLOUTS SUPERSEDE NOTES
DIMENSIONS & TOLERANCES SHALL BE INTERPRETED
IN ACCORDANCE WITH ASME Y14.5-2018



PROPRIETARY AND CONFIDENTIAL
INFORMATION CONTAINED IN THIS DRAWING IS
THE SOLE PROPERTY OF CLEARPATH ROBOTICS INC.
PROHIBITED TO REPRODUCE IN PART OR AS A WHOLE WITHOUT
WRITTEN PERMISSION OF CLEARPATH ROBOTICS INC.

DRAFT RF 29 NOV 2022

ITEM
NAME

PLATE—80 X 80, ATTACHMENT INTERFACE

PAPER 432 X 279 SCALE 1:1 DO NOT SCALE

ITEM
NUMBER

028877

SHEET 1 OF 1

REV.

1