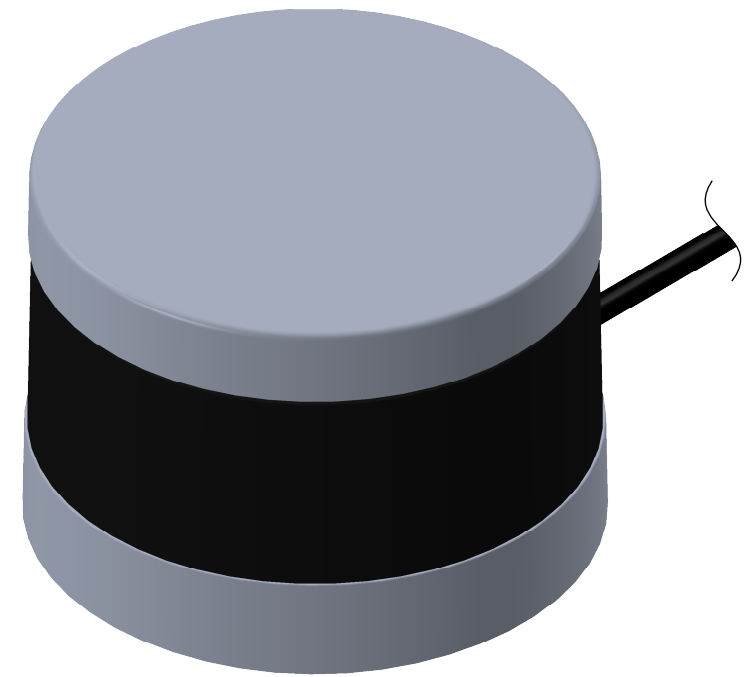
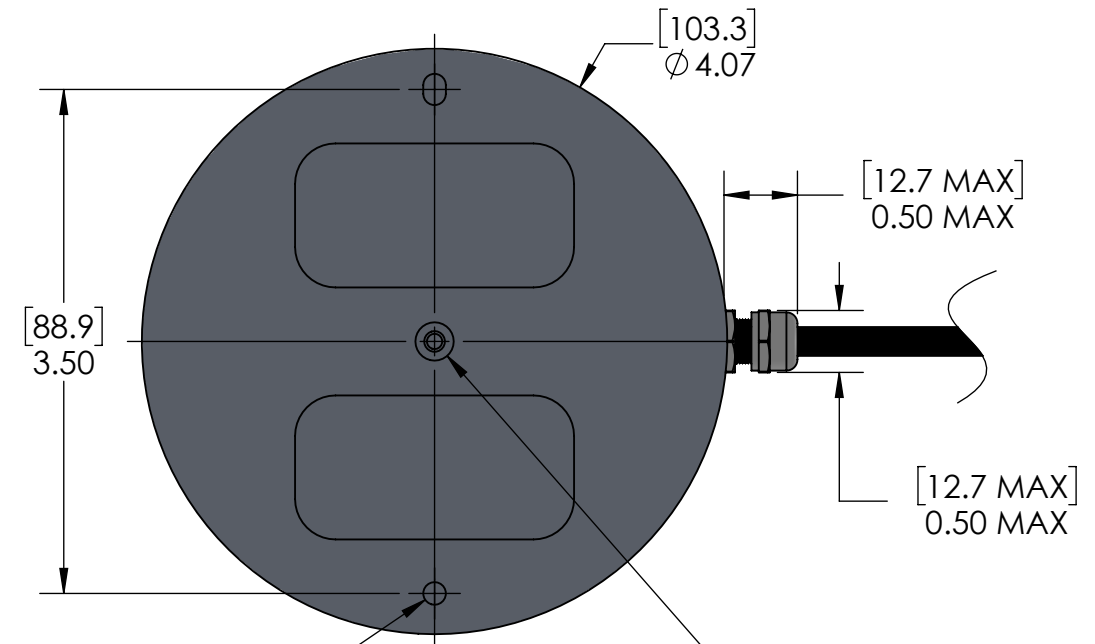
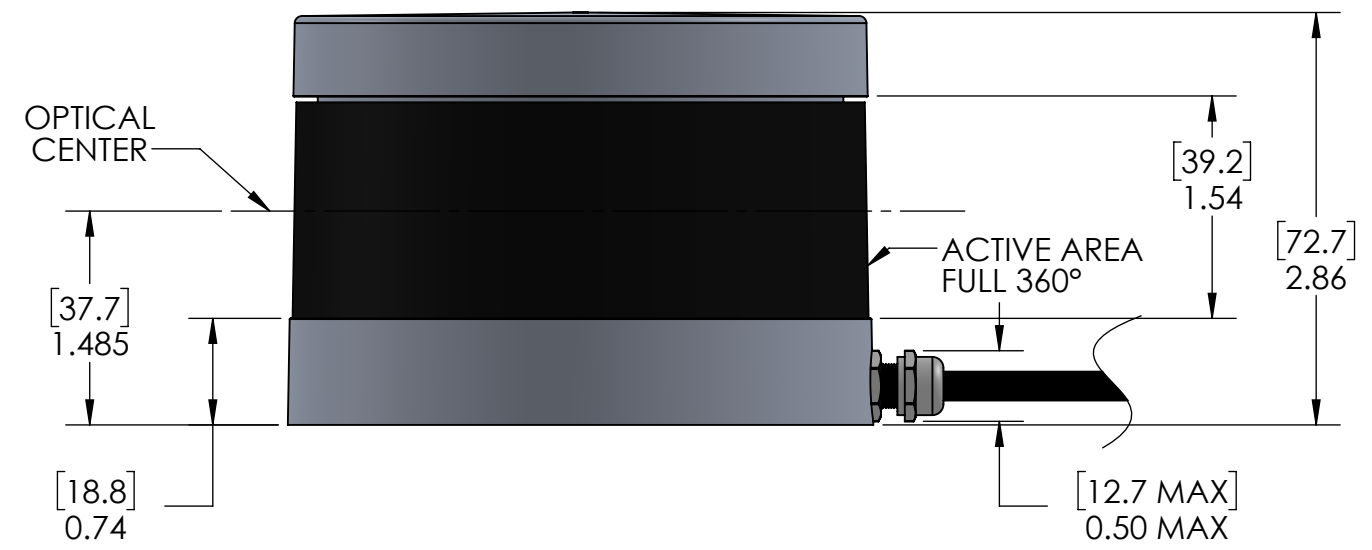


THE INFORMATION CONTAINED IN THIS DRAWING IS THE SOLE PROPERTY OF VELODYNE LIDAR, INC., ANY REPRODUCTION IN PART OR WHOLE WITHOUT THE WRITTEN PERMISSION OF VELODYNE LIDAR, INC., IS PROHIBITED.

REVISIONS HISTORY				
ECN	REV	DESCRIPTION	APPROVAL	DATE
1044	A	RELEASE TO PRODUCTION	BRP	12/05/14
1118	B	MOD. ENVELOPE DIMS (SHEET 1 ZONES A5, B5 AND C5). ADDED WINDOW CONFIGURATIONS (SHEET 2). ADDED OPTICAL KEEP OUT ZONE (SHEET 4).	SSN	08/26/15
0686	B1	MOD. COMPANY NAME IN TITLE AND COPYRIGHT BLOCK. MOD. DESCRIPTION ON SHEET 3 TO INCL. VERT. BEAM DIV.	SSN	12/13/16

NOTES:
 1. ALL DIMENSIONS ARE IN DECIMAL INCHES AND [MILLIMETERS].
 2. ALL DIMENSIONS FOR REFERENCE ONLY



2X $\varnothing 0.16$ FEATURES FOR 5/32 PINS $\nabla 7/32$ [5.5]
 1/4-20 MOUNT $\nabla 9/32$ [7.1]

UNLESS OTHERWISE SPECIFIED DIMENSIONS ARE IN DECIMAL INCHES AND [METRIC].		SOLIDWORKS GENERATED DRAWING. DO NOT MANUALLY UPDATE		Velodyne LiDAR™ TITLE ENVELOPE VLP-16	
TOLERANCES ARE: DECIMALS .xx ± .01 [0.25] ANGLES ± N/A .xxx ± .005 [0.127]		APPROVALS	DATE		
MATERIAL		DWN	BRP	12/05/14	86-0101
FINISH		CHKD			
DO NOT SCALE DRAWING		QC			
		ENG			
		SCALE: 3:4			REV. B1
					SHEET 1 of 4

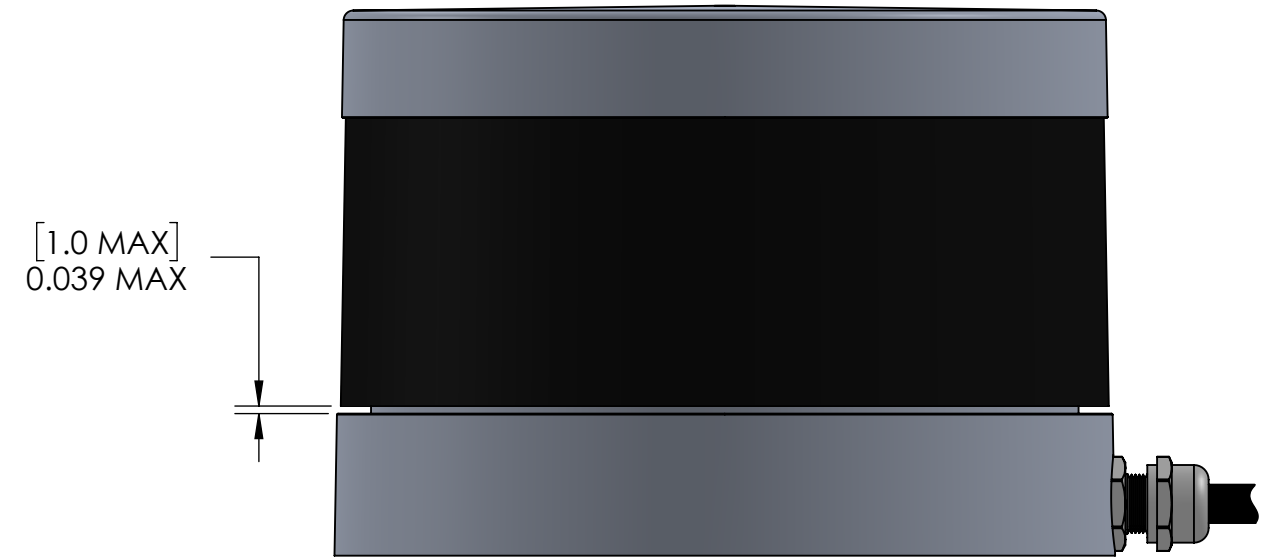
THE INFORMATION CONTAINED IN THIS DRAWING IS THE SOLE PROPERTY OF VELODYNE LIDAR, INC., ANY REPRODUCTION IN PART OR WHOLE WITHOUT THE WRITTEN PERMISSION OF VELODYNE LIDAR, INC., IS PROHIBITED.

REVISIONS HISTORY				
ECN	REV	DESCRIPTION	APPROVAL	DATE
		SEE SHEET 1		

WINDOW INSTALLED FLUSH WITH SPINDLE



WINDOW INSTALLED FLUSH WITH LID



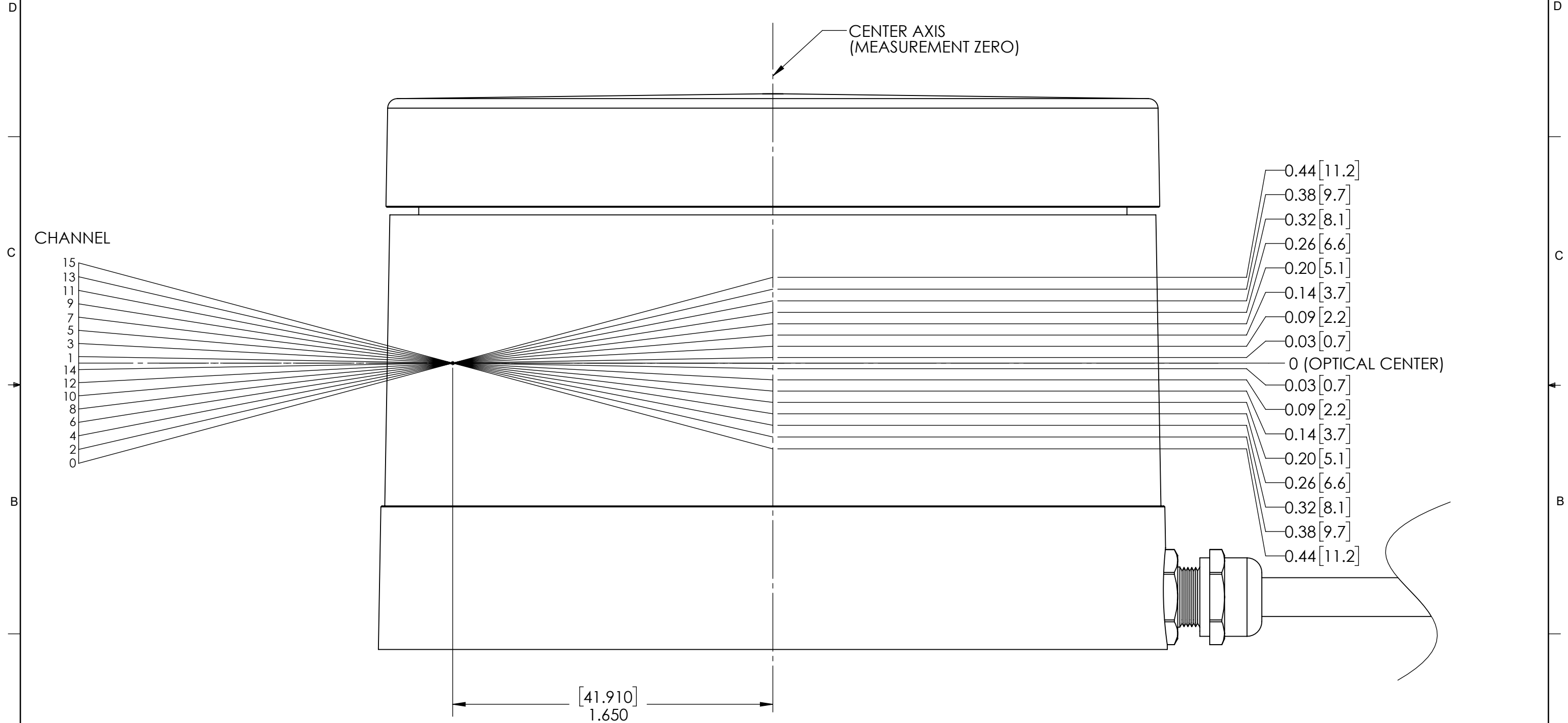
WINDOW INSTALLED MIDWAY BETWEEN LID AND SPINDLE



SIZE	DWG. NO.	REV.
B	86-0101	B1
SCALE: NTS	SHEET 2 of 4	

THE INFORMATION CONTAINED IN THIS DRAWING IS THE SOLE PROPERTY OF VELODYNE LIDAR, INC., ANY REPRODUCTION IN PART OR WHOLE WITHOUT THE WRITTEN PERMISSION OF VELODYNE LIDAR, INC., IS PROHIBITED.

REVISIONS HISTORY				
ECN	REV	DESCRIPTION	APPROVAL	DATE
		SEE SHEET 1		

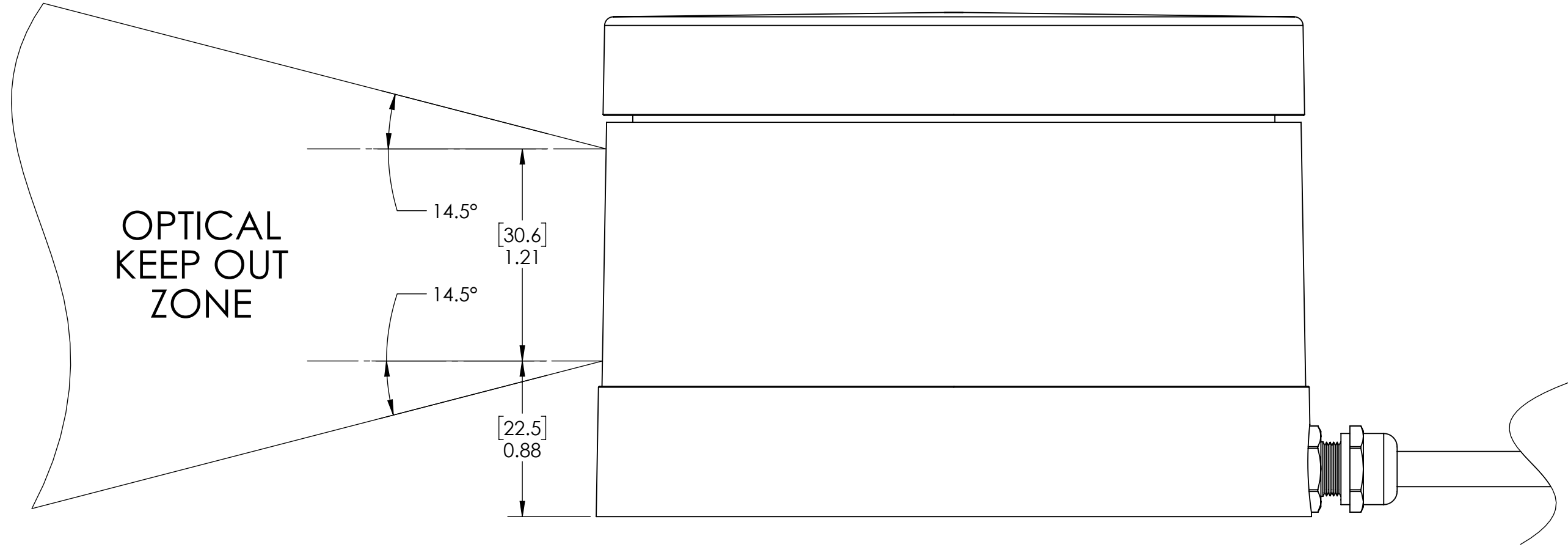


APPROXIMATE BEAM CENTERS
 DOES NOT REPRESENT BEAM WIDTHS
 BEAMS ARE APPROXIMATELY 0.75 TALL AT FOCAL POINT
 BEAM DIVERGENCE IS APPROXIMATELY 3 MILLIRADIANS HORIZONTALLY AND 1.5 MILLIRADIANS VERTICALLY
 APPLY VERTICAL CORRECTION FOR GREATEST ACCURACY

SIZE	DWG. NO.	REV.
B	86-0101	B1
SCALE: NTS	SHEET 3 of 4	

THE INFORMATION CONTAINED IN THIS DRAWING IS THE SOLE PROPERTY OF VELODYNE LIDAR, INC., ANY REPRODUCTION IN PART OR WHOLE WITHOUT THE WRITTEN PERMISSION OF VELODYNE LIDAR, INC., IS PROHIBITED.

REVISIONS HISTORY				
ECN	REV	DESCRIPTION	APPROVAL	DATE
		SEE SHEET 1		



SIZE	DWG. NO.	REV.
B	86-0101	B1
SCALE: NTS	SHEET 4 of 4	